

Product Datasheet

Alkorplan F by Alumasc

Sheet No: PD1001FR
 Issued: July 2021
 Pages: 1 of 2

Description

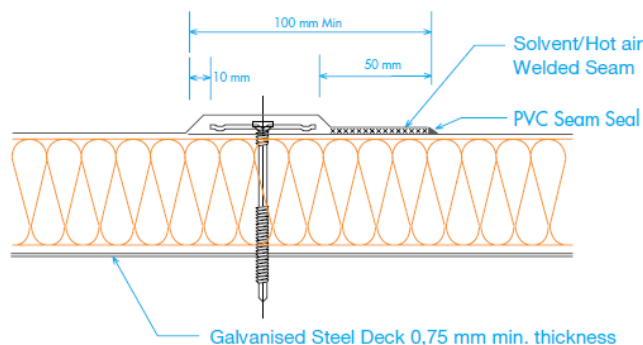
Laminated membrane of flexible PVC with woven polyester reinforcing conforming with UEAtc guidelines.

Use

Used as a waterproofing membrane within mechanically fixed systems.

Application

- All surfaces to receive the membrane must be clean and dry.
- Ensure that the membrane is accurately located, including overlaps.
- The Alkorplan membrane is rolled out, free of tension, on top of the insulation or separation layer at 90° to the deck direction. Where the substrate is not metal deck (concrete, OSB, plywood or timber) the direction of the membrane is not critical.
- Mechanical fasteners (screws and plates) are installed through the membrane and insulation into the crowns of the deck.
- The adjoining sheet is aligned to the first one with an overlap of 100mm minimum (a line is printed on one side of the membrane to facilitate this).
- The quantity of fasteners is calculated to resist wind uplift in the central and perimeter roof area in accordance with current guidelines (calculation according to UK standards BS 6399-2).
- A minimum distance of 150 mm between fasteners must be observed at all times, which may require the use of a narrower membrane in order to obtain the correct quantity of fasteners per m², with a minimum of 2/m².
- A test weld must be carried out prior to welding the roofing sheet, to confirm adequate weld strength and performance. The Alkorplan membrane is welded preferably by hot air, or by solvent, using Alkorplus 81025 welding fluid. The welded area must be continuous and extend a minimum of 30mm from the membrane edge.



End laps must be staggered by 250mm, thus preventing a situation where 4 roll ends coincide. Where 3 membranes overlap, the centre sheet must be chamfered.

After completion of the welding, weld security is verified by drawing a metal probe along the joint in a firm but non-destructive way. Finally, liquid Alkorplan 81038 seam sealer is applied to the edges of all welded seams.

To ensure satisfactory adhesion of the liquid, this operation must be carried out as work progresses.

Storage

Store dry. Rolls to be parallel and in original packing where possible, do not stack in cross form or under pressure.

Product Datasheet

Alkorplan F by Alumasc

Sheet No: PD1001FR
 Issued: July 2021
 Pages: 2 of 2

Product Data

Product data	Method	Production values RENOLIT ALKORPLAN F			Units
		1.2 mm	1.5 mm	1.8 mm	
Tensile strength	EN 12311-2 (A)	≥1050	≥1100	≥1125	N/50 mm
Elongation atbreak	EN 12311-2 (A)	≥15	≥16	≥16	%
Dimensional stability (6h at 80 °C)	EN 1107-2	≤0.3	≤0.3	≤0,3	%
Cold crack temperature	EN 495-5	≤-25	≤-25	≤-25	°C
Nail tearresistance	EN 12310-1	≥350	≥400	≥450	N
Tear resistance	EN 12310-2	≥200	≥225	≥250	-
Lamination Strength	EN 12316-2	≥200	≥225	≥155	N/50 mm
Water vapour diffusion resistance (μ)	EN 1931	20 000*	20 000*	20 000*	-
Resistance to static perforation	EN 12730	≥20	≥20	≥20	Kg

Thickness	Width	Weight	Roll length	Roll weight
1.2 mm	1.05 m	1.53 kg/m ²	25 	ca. 40kg
1.2 mm	1.60 m	1.53 kg/m ²	20 	ca. 52kg
1.5 mm	1.05 m	1.85 kg/m ²	20 	ca. 41kg
1.5 mm	1.60 m	1.85 kg/m ²	15 	ca. 47kg

Health & Safety

Safety Data Sheets are available upon request and can also be downloaded directly from www.alumascroofing.com.

Technical Support

Technical advice is available from Alumasc Technical Services at:

Telephone: +44 (0)1744 648400

Email: technical@alumascroofing.com

The company pursues a policy of constant product development and information contained in this publication is therefore subject to change without notice. The customer is responsible for ensuring that each product is fit for its intended purpose and that the conditions for use are suitable. All quoted data is nominal and subject to production tolerances.